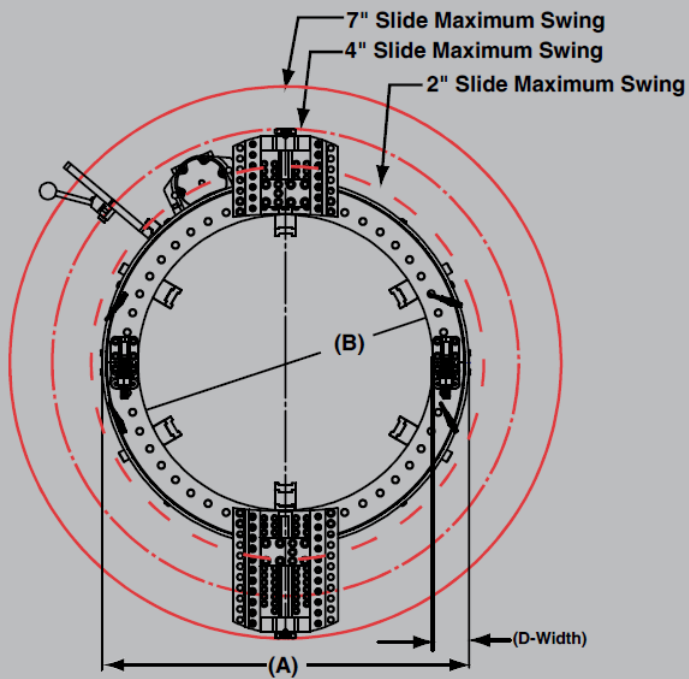
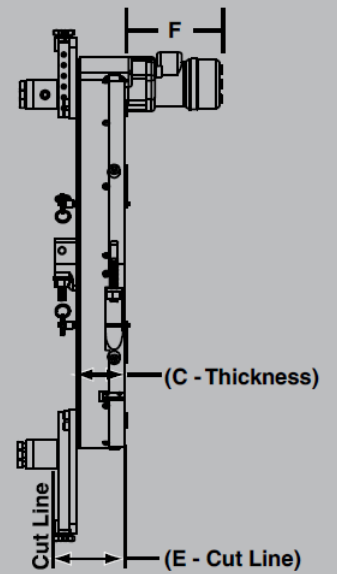


Split Frame Clamshell, Pipe cutting & Weld Prep Machines

AFC Series Clamshells								
Model	Nom. Pipe Size	A	B	1" Swing	2" Slide Swing	4" Slide Swing	7" Slide Swing	Locator Pads
AFC-4	1" - 4"	10.026"	5.000"	10.649"	12.869"	16.921"		4
mm	33.4 - 114.3	254.7	127.0	270.5	326.9	429.8		
AFC-6	2" - 6"	12.150"	7.125"	12.801"	15.021"	19.073"		4
mm	60.3 - 168.3	308.6	181.0	325.1	381.5	484.4		
AFC-8	3" - 8"	14.149"	9.125"	15.149"	17.369"	21.421"	27.370"	4
mm	88.9 - 219.1	359.4	231.8	384.8	441.2	544.1	695.2	
AFC-10	4" - 10"	16.315"	11.250"	17.468"	19.688"	23.740"	29.688"	4
mm	114.3 - 273.1	414.40	285.75	443.7	500.1	603.0	754.1	
AFC-12	6" - 12"	18.400"	13.250"	19.014"	21.234"	25.286"	31.234"	4
mm	168.3 - 323.9	467.4	336.6	483.0	539.3	642.3	793.3	
AFC-14	6" - 14"	19.650"	14.500"	20.228"	22.448"	26.500"	32.449"	4
mm	168.3 - 355.6	499.11	368.3	513.8	570.18	673.1	824.2	
AFC-16	8" - 16"	21.650"	16.500"	22.117"	24.337"	28.389"	34.337"	6
mm	168.3 - 406.4	549.9	419.1	561.8	618.2	721.1	872.2	
AFC-18	10" - 18"	23.900"	18.750"	24.540"	26.76"	30.812"	36.761"	6
mm	273.1 - 457.2	607.1	476.2	623.3	679.7	782.6	933.7	
AFC-20	12" - 20"	25.776"	20.750"	26.520"	28.740"	32.792"	38.740"	6
mm	323.9 - 508.0	654.7	527.1	673.6	730.0	832.9	984.0	
AFC-24	16" - 24"	29.776"	24.750"	30.439"	32.659"	36.711"	42.659"	10
mm	406.4 - 609.6	756.3	628.7	773.2	829.5	932.5	1083.5	
AFC-26	18" - 26"	31.900"	26.750"	32.503"	34.723"	38.775"	44.723"	10
mm	457.2 - 660.4	810.3	679.5	825.6	882.0	984.9	1124.5	
AFC-28	20" - 28"	33.900"	28.750"	34.558"	36.778"	40.830"	46.778"	10
mm	508.0 - 711.2	861.1	730.3	877.8	1620.0	1037.1	1188.2	
AFC-30	22" - 30"	36.150"	31.000"	36.861"	39.081"	43.133"	49.082"	10
mm	558.8 - 762.0	558.8	781.1	981.7	1074.4	1225.6	1246.7	
AFC-32	24" - 32"	38.150"	33.000"	38.902"	41.122"	45.174"	51.123"	10
mm	609.6 - 812.8	969.0	838.2	988.1	1044.5	1147.4	1298.5	
AFC-36	28" - 36"	42.150"	37.000"	42.978"	45.198"	49.250"	55.199"	10
mm	711.2 - 914.4	1070.6	939.8	1091.6	1148.0	1251.0	1402.1	
AFC-39	31" - 39"	45.150"	40.000"	46.013"	48.233"	52.285"	58.234"	10
mm	787.4 - 990.6	1146.8	1016.0	1168.7	1225.1	1328.0	1479.1	
AFC-42	34" - 42"	48.150"	43.000"	49.049"	51.269"	55.321"	61.270"	10
mm	863.6 - 1066.8	1223.0	1092.2	1245.8	1302.2	1405.2	1556.3	
AFC-48	40" - 48"	54.400"	49.250"	54.900"	57.120"	61.172"	67.120"	12
mm	1016.0 - 1219.2	1381.8	1251.0	1394.5	1450.8	1553.8	1704.8	
AFC-56	48" - 56"	62.250"	57.250"	62.957"	65.177"	69.230"	75.178"	12
mm	1219.2 - 1422.4	1581.2	1454.2	1599.1	1655.5	1758.4	1909.5	



C = 3.4" 86.4 mm
 D = 2.5" 63.5 mm
 E = 5.1" 129.5 mm



F =
 Pneumatic
 AFC-4, -6, -8 & -10 = 9.1" 231.1 mm
 AFC-12 & Larger = 11.0" 279.4 mm
 Electric = 15.1" 383.5 mm
 Hydraulic = 6.9" 175.3 mm